

CDP-C235 / C335

SONY SERVICE MANUAL

US Model
Canadian Model
AEP Model
CDP-C235/335
Australian Model
CDP-C235
UK Model
E Model
CDP-C335

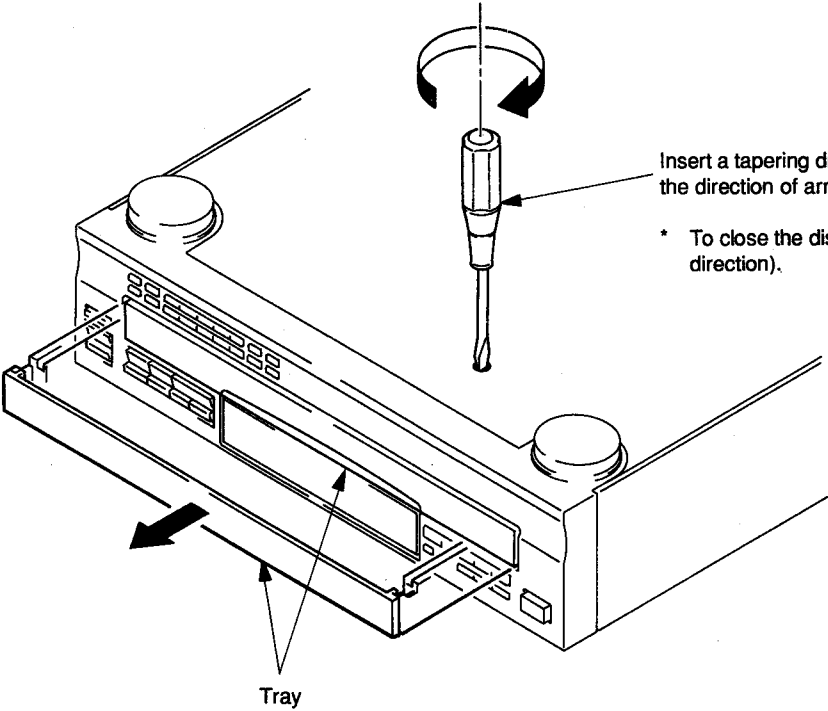
SUPPLEMENT-1

File this Supplement with the Service Manual.

Subject :

- How to open the Disc tray when Power switch turns off.
- Block Diagram
- IC Block Diagram
- Correction

HOW TO OPEN THE DISC TRAY WHEN POWER SWITCH TURNS OFF

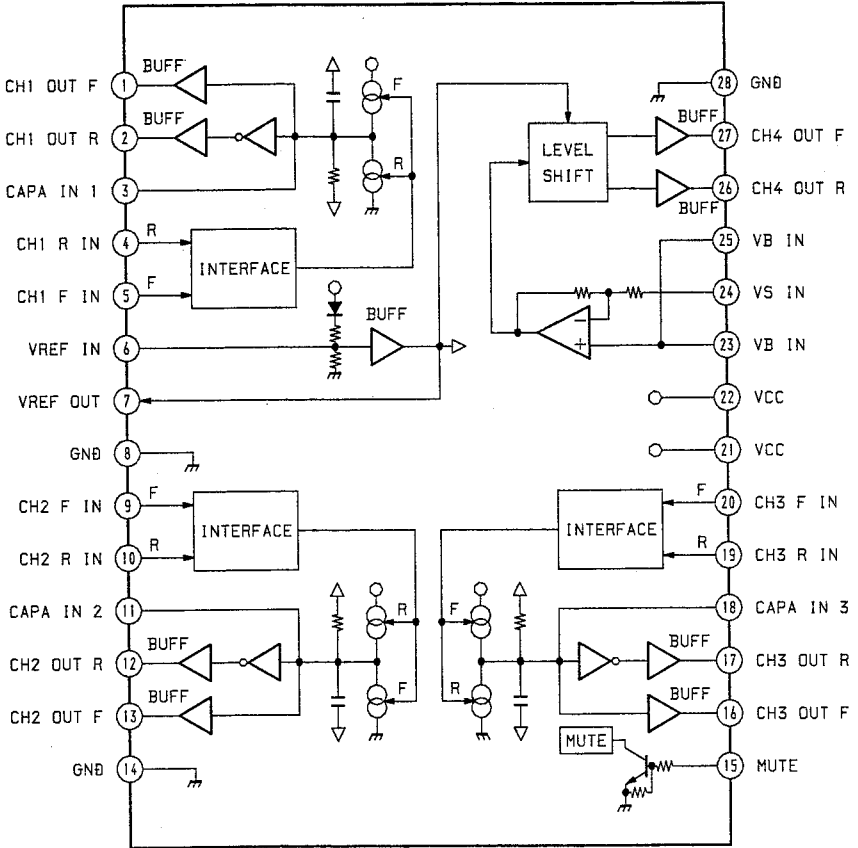


Insert a tapering driver into the aperture of the unit bottom, and turn in the direction of arrow (to OUT direction).

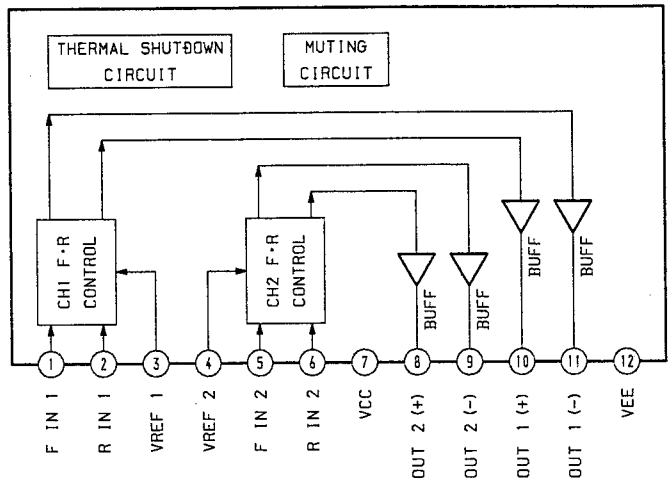
* To close the disc tray, turn the driver in the reverse direction (to IN direction).

• IC BLOCK DIAGRAM

IC102 BA6392FP

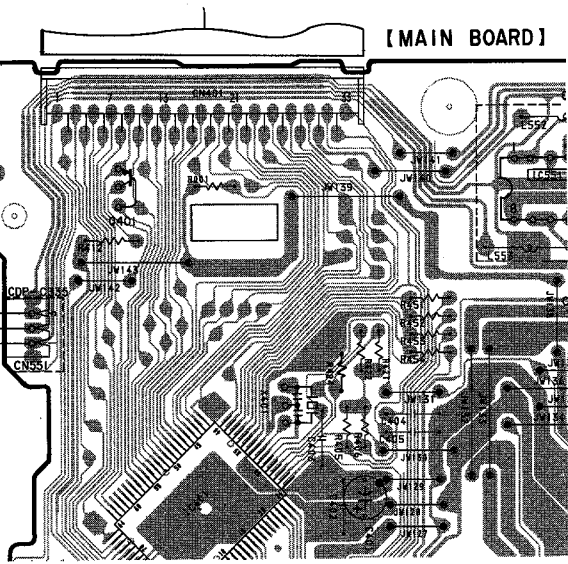
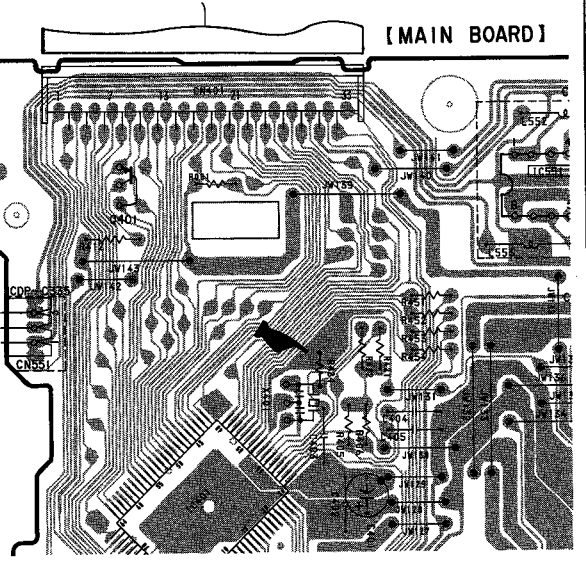
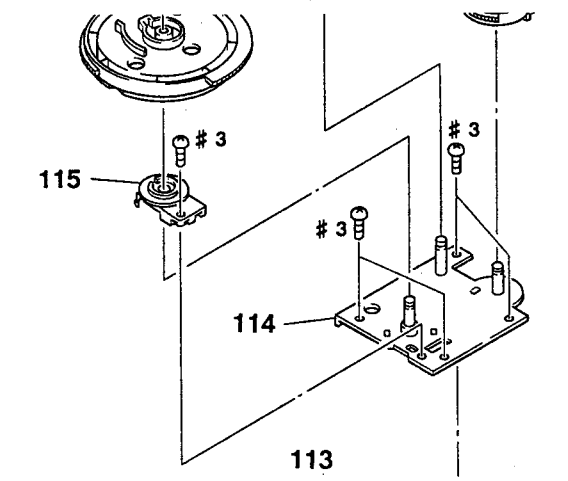
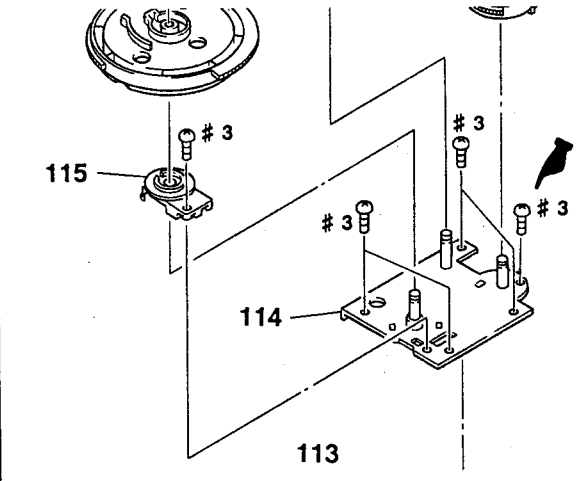


IC451 BA6191



CORRECTION

 : Corrected portion

Page	Incorrect	Correct
13	 <p>[MAIN BOARD]</p>	 <p>[MAIN BOARD]</p>
23	 <p>115</p> <p># 3</p> <p>114</p> <p>113</p>	 <p>115</p> <p># 3</p> <p>114</p> <p>113</p>
	121 4-958-593-01 SPRING (BU), COMPRESSION	121 <u>4-948-503-01</u> SPRING (BU), COMPRESSION